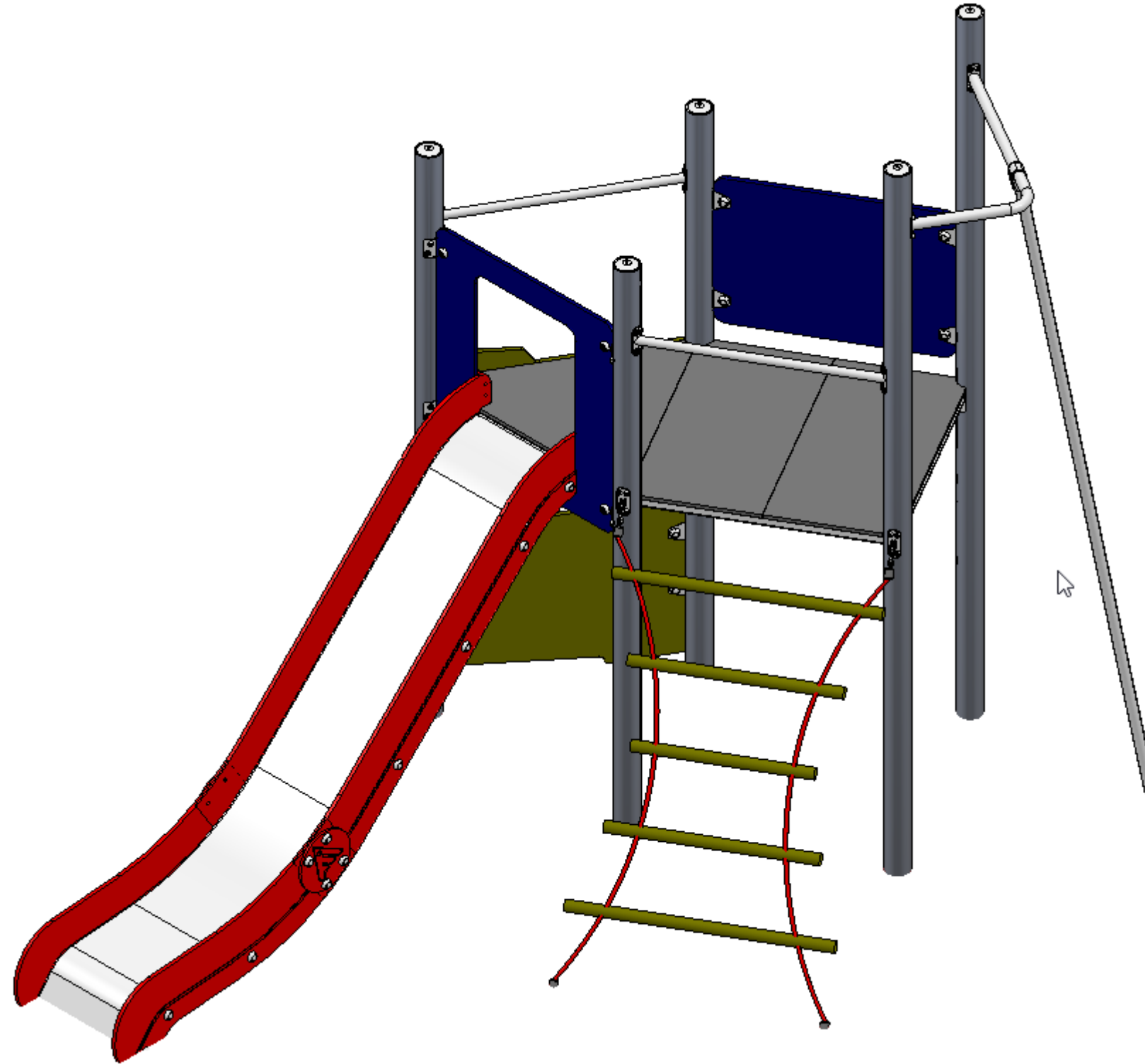
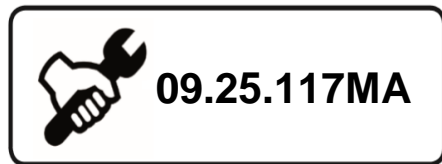


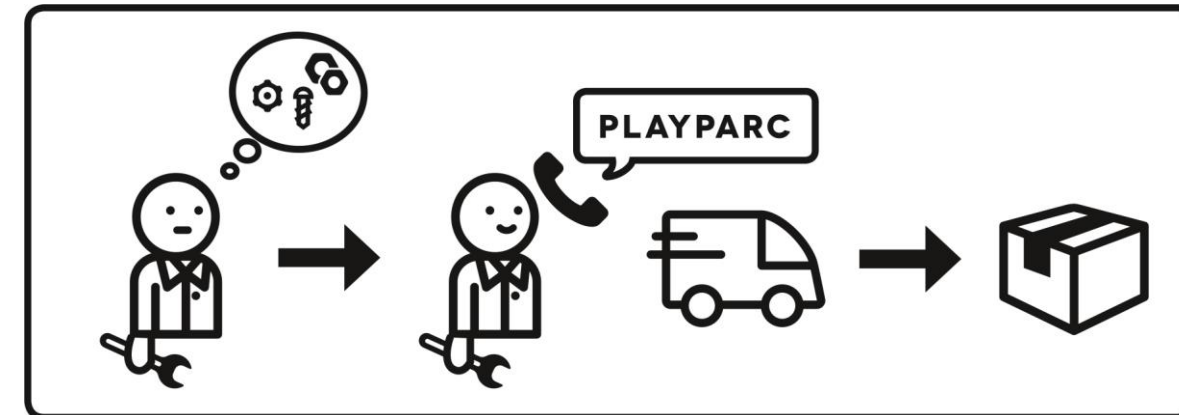
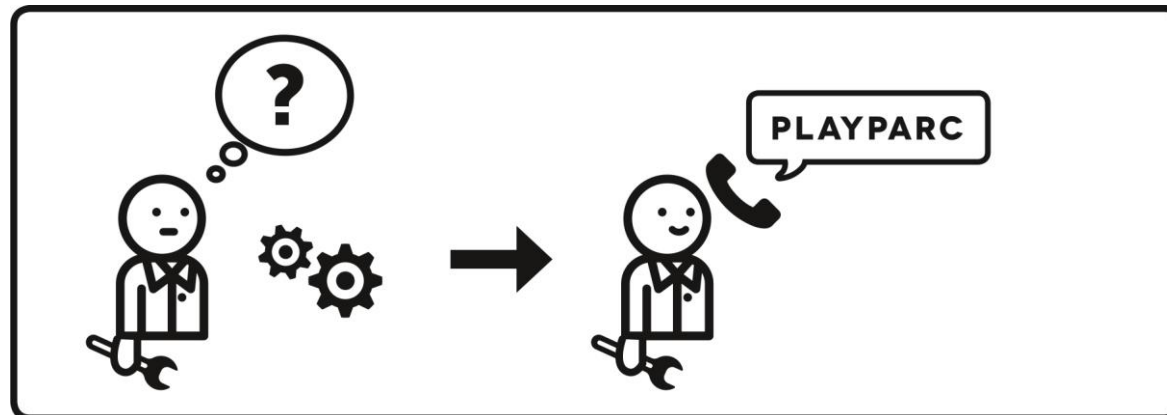
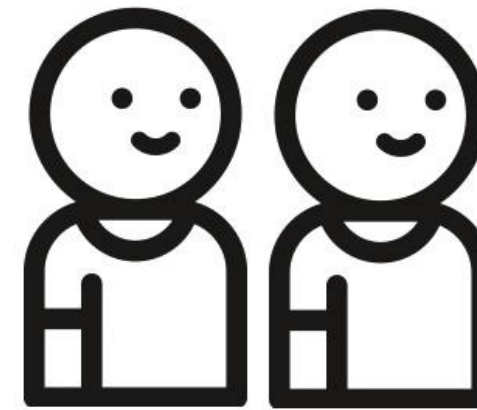
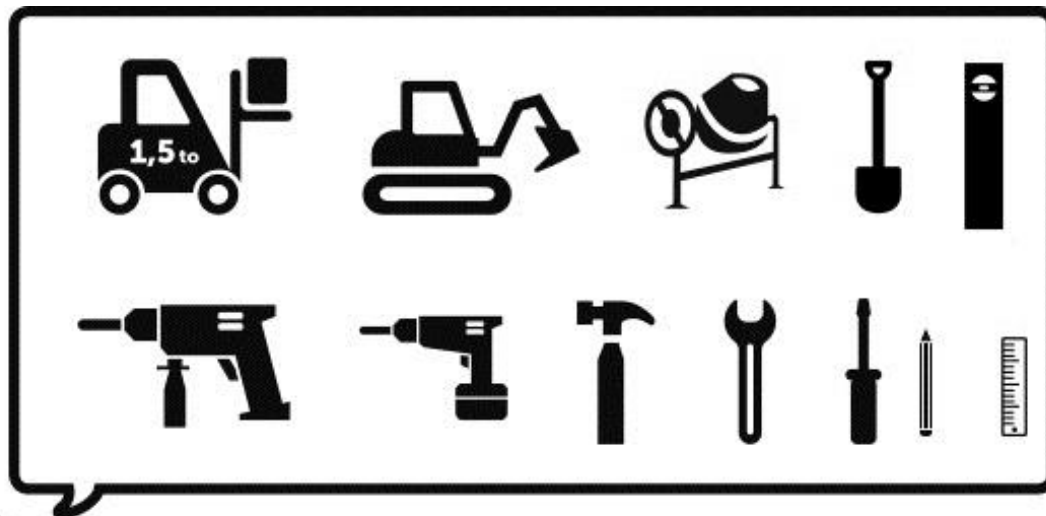
Etolis 17 VA



Etolis 17 VA

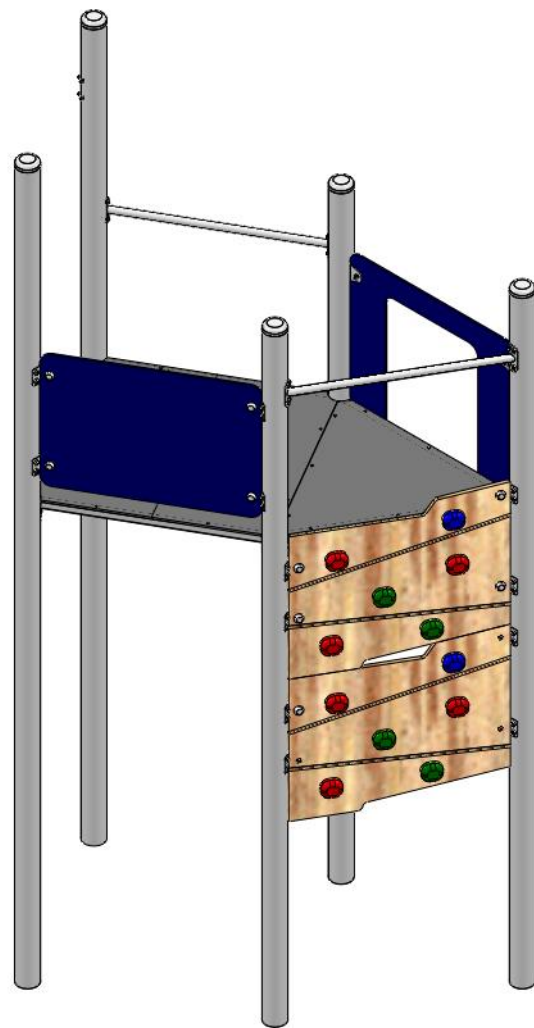
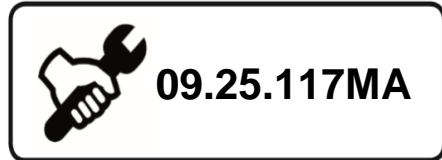


09.25.117MA

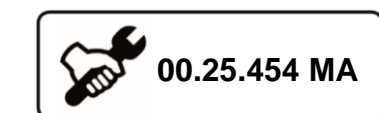
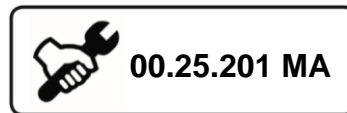
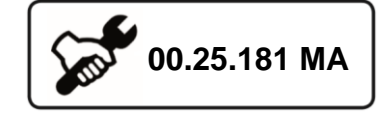
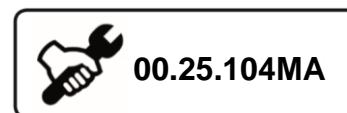


PLAYPARC Allwetter -Freizeit-Anlagenbau GmbH
Zur Kohlstätte 9 · D-33014 Bad Driburg
Tel. +49 (0) 52 53 4 05 99-0 · Fax +49 (0) 52 53 4 05 99-10
info@playparc.de
www.playparc.de

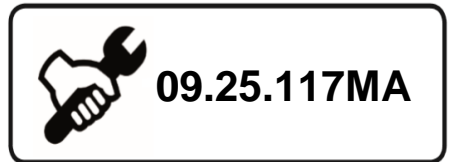
Etolis 17 VA









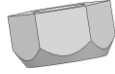




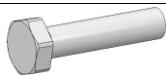

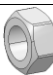
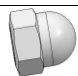
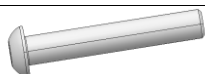
| NR. | Bild / Image | Menge / Quantity | Artikel / Article | | Artikelnummer / Article number | Maße |
|-----|--------------|------------------|--------------------------|----------------------|--------------------------------|---------|
| 1 | | 1 | Rundrohr Ø101,6x2-1.4301 | pipe Ø101,6x2-1.4301 | -- | 3900 mm |
| 2 | | 1 | Rundrohr Ø101,6x2-1.4301 | pipe Ø101,6x2-1.4301 | -- | 3900 mm |
| 3 | | 1 | Rundrohr Ø101,6x2-1.4301 | pipe Ø101,6x2-1.4301 | -- | 3300 mm |
| 4 | | 1 | Rundrohr Ø101,6x2-1.4301 | pipe Ø101,6x2-1.4301 | -- | 3300 mm |
| 5 | | 1 | Rundrohr Ø101,6x2-1.4301 | pipe Ø101,6x2-1.4301 | -- | 3300 mm |



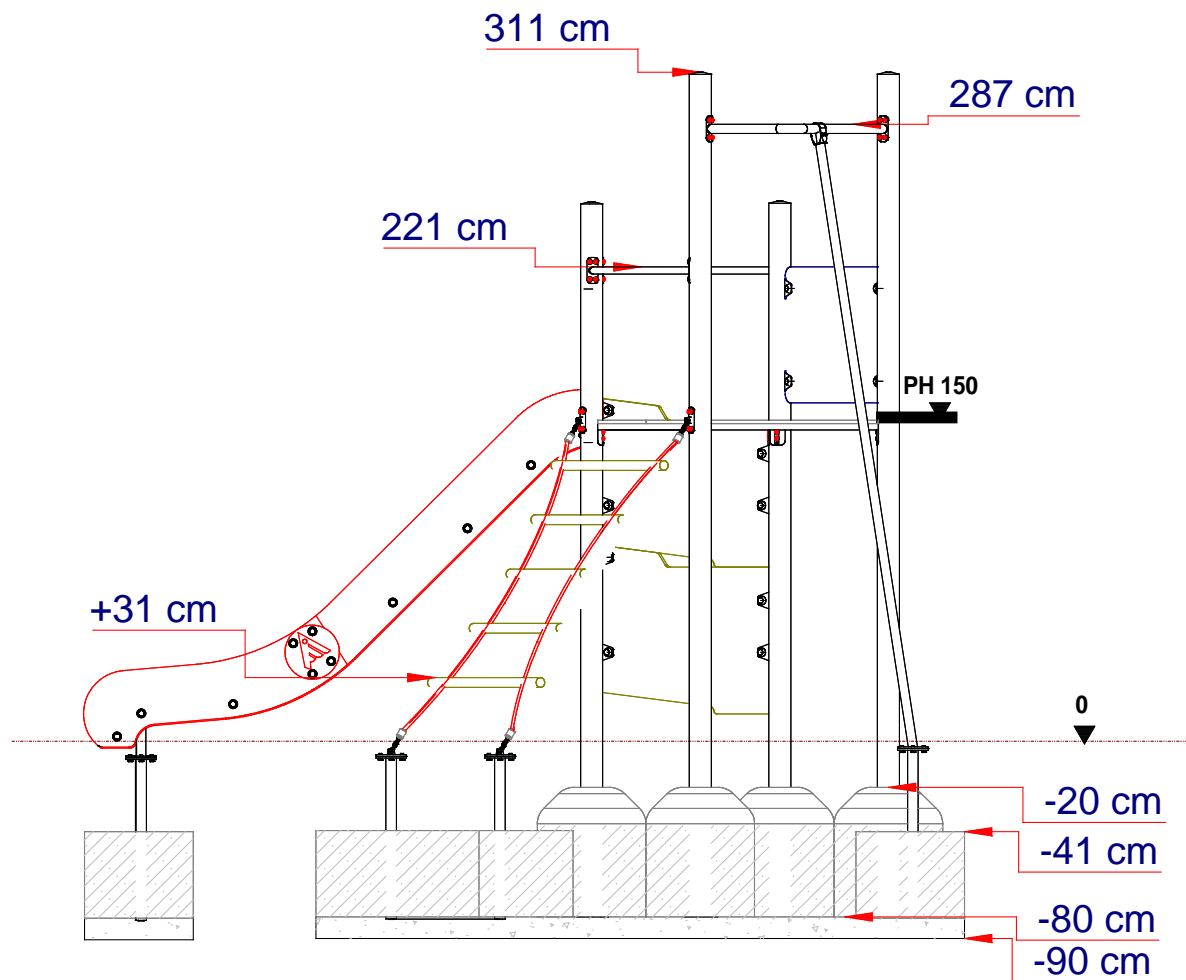
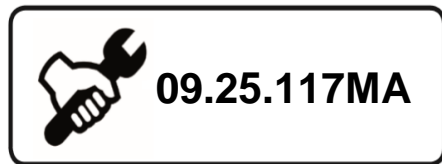
Etolis 17 VA





| NR. | Bild / Image | Menge / Quantity | Artikel / Article | | Artikelnummer / Article number | Maße |
|-----|---|------------------|-------------------------|-----------------------|--------------------------------|-------------|
| |  | 1 | Rutsche Etolis | Bench Etolis | 002540x | PH=150 cm |
| |  | 1 | Rutschstange Etolis | Etolis slide bar | 0025455 | -- |
| |  | 1 | Räuberleiter komplett | Climbing net complete | 0025454.001 | 1500x1200mm |
| |  | 2 | Anbauelementverbinder | Element attachement | 0025104 | 120x750mm |
| |  | 1 | Verlängerungsrohr 40UOK | Extension tube 40UOK | 8825999 | Ø42,4x418mm |


| NR. | Bild / Image | Menge / Quantity | Artikel / Article | | Artikelnummer / Article number | Maße |
|-----|---|------------------|---------------------------------------|---------------------------------|--------------------------------|-----------|
| |  | 8 | Linsenkopfschraube M10x25-A2 | Pan head M10x25-A2 | 1880023 | M10x25mm |
| |  | 8 | Sechskantmutter selbstsichernd M10-A2 | Self-locking hexagon nut M10-A2 | 1880026 | M10 |
| |  | 16 | Unterlegscheibe M8-PA | Counter washer M8-PA | 1828051 | 8x22,5mm |
| |  | 16 | Senkkopfschraube M8x30-A2 | Countersunk screw M8x30-A2 | 1888033 | M8x30mm |
| |  | 6 | Ankerbolzen M10x95-A2 | anchor bolt M10x95-A2 | 1832012 | M10x95 mm |
| |  | 6 | Schraubenabdeckung gerade | flat screw cover | 2511093 | 36Øx17mm |
| |  | 3 | Sechskantschraube M10x45 | Hexagon screw M10x45 | 1804022 | M10x45mm |
| |  | 6 | Unterlegscheibe M10 | Washer M10 | 1827005 | M10 |
| |  | 3 | Sechskantmutter M10 | Hexagonal nut M10 | 1819003 | M10 |
| |  | 2 | Hutmutter selbstsichernd M8-A2 | cap nut self-locking M8-A2 | 1880043 | M8 |
| |  | 2 | Linsenkopfschraube M8x50-A2 | Pan head screw M8x50-A2 | 1807030 | M8x50mm |


Etolis 17 VA

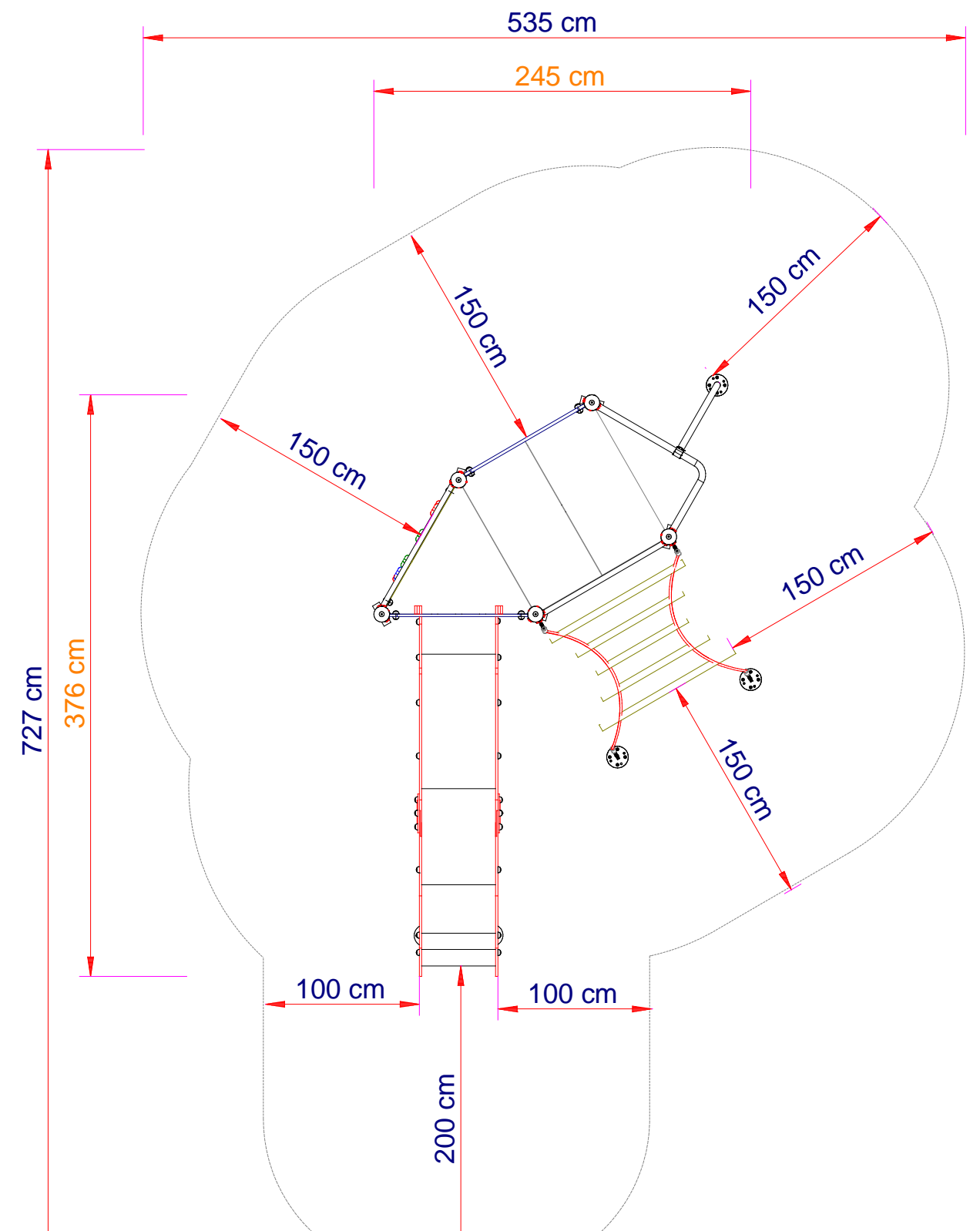


- 5x 50x50x60 (cm)
- 1x 50x50x40
-  1x 150x50x40
- 1x 100x50x40
- 1,35 m³ Concrete C25/30

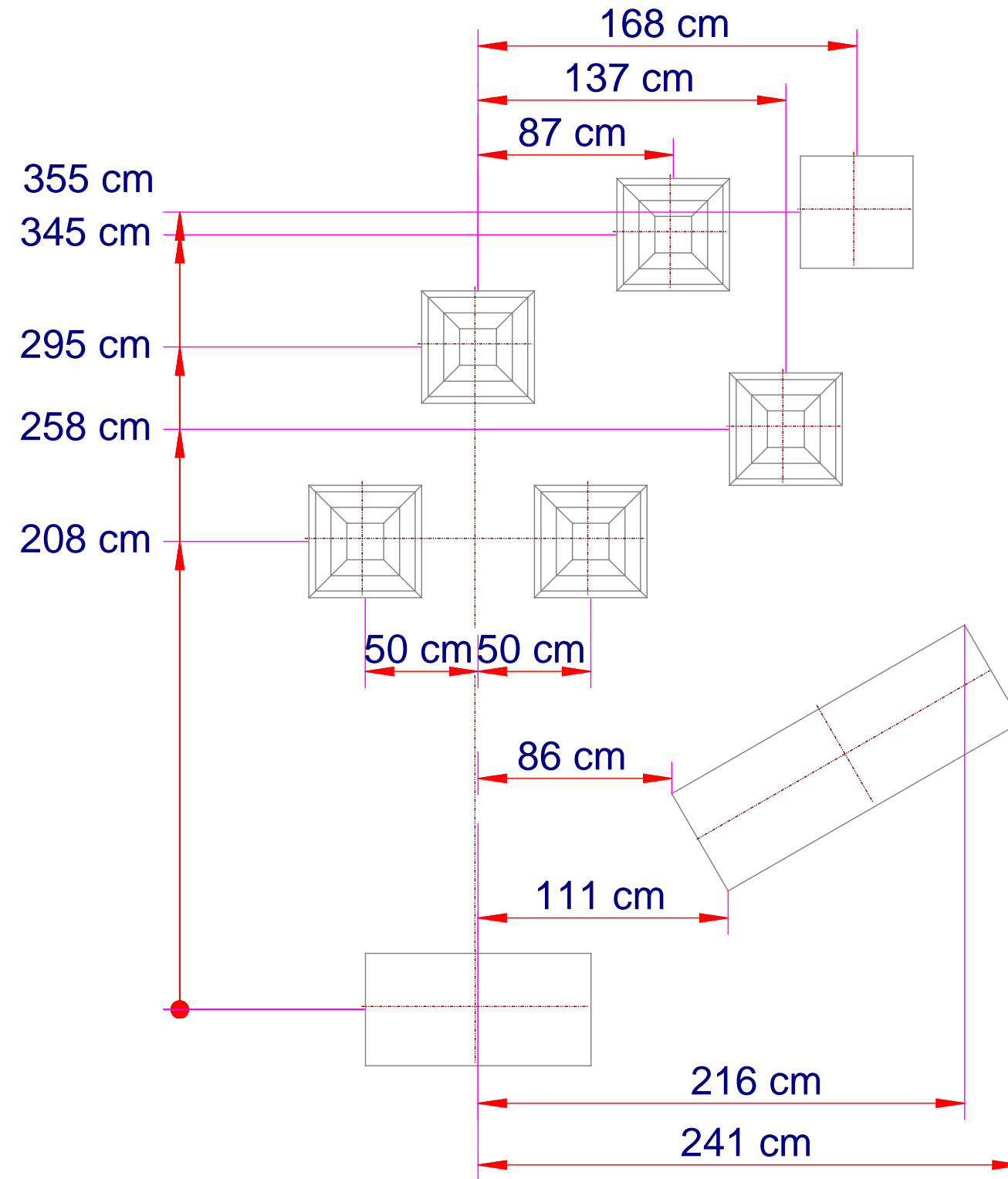
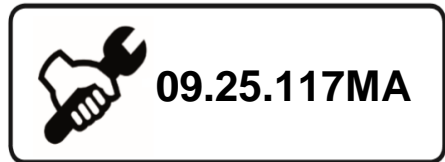
-  3+

-  ~250 kg

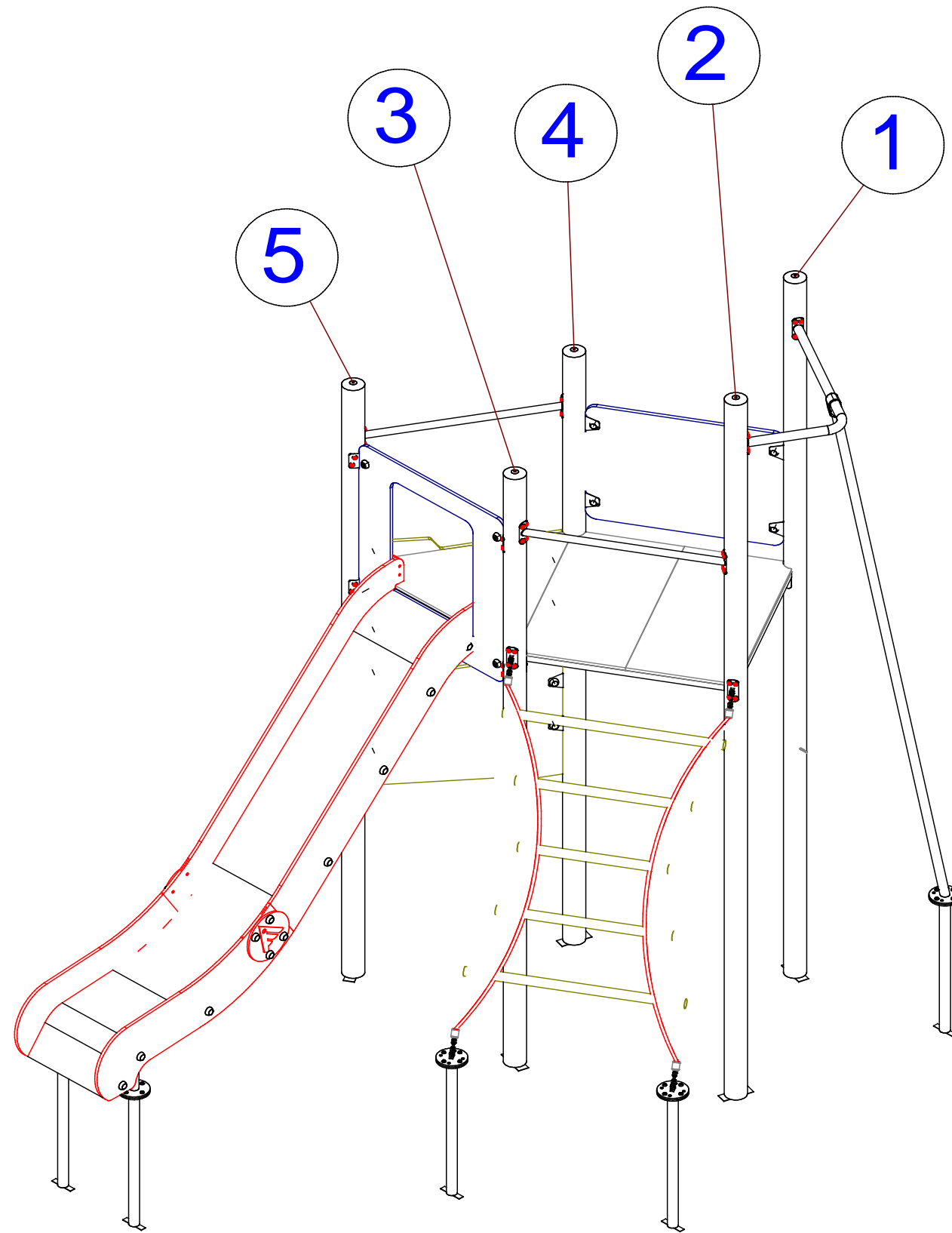
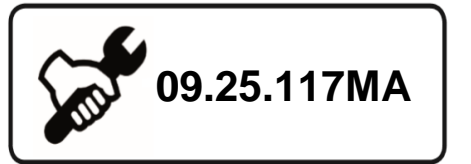
-  4,00x1,20x1,15 (m)



Etolis 17 VA

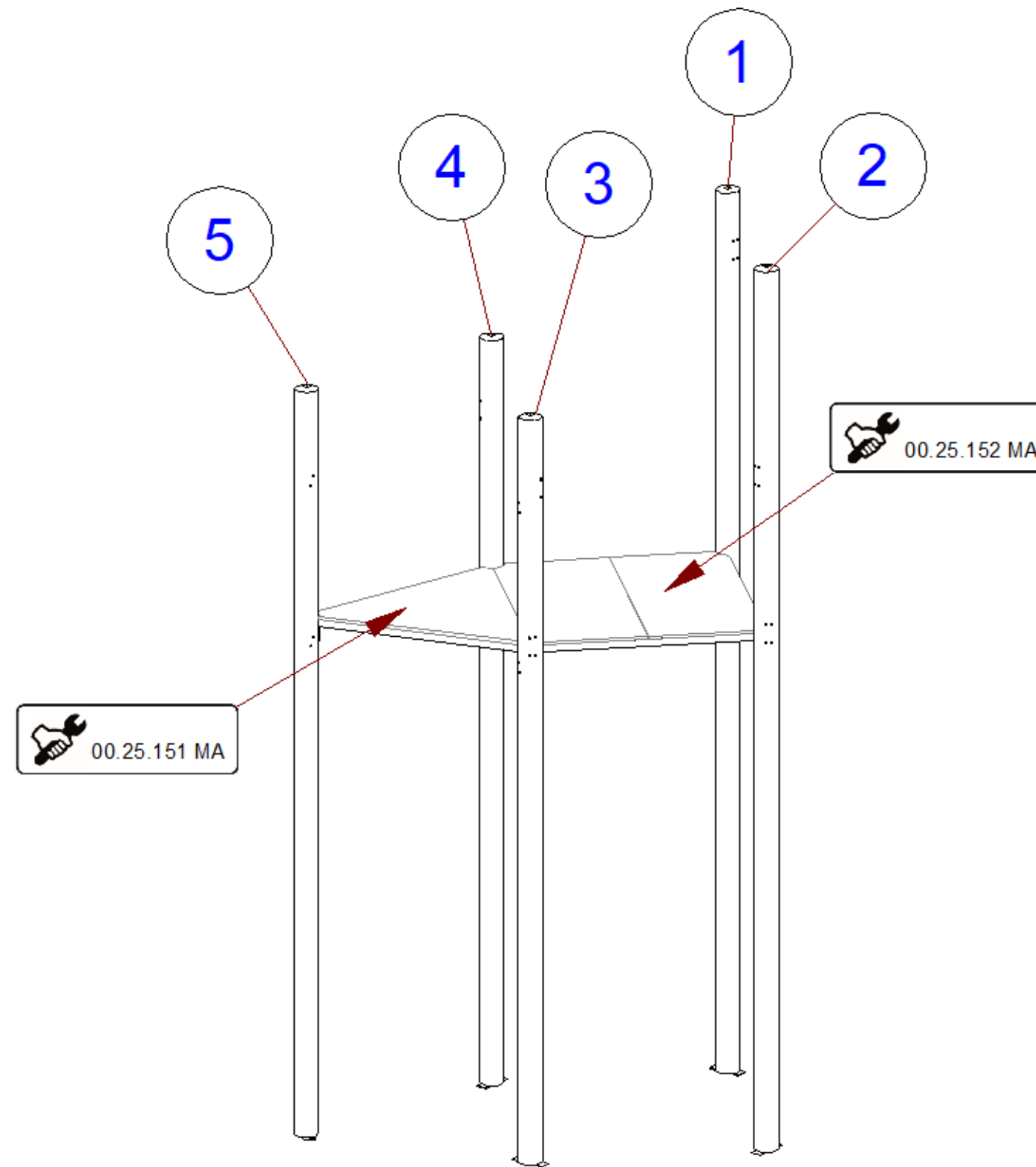
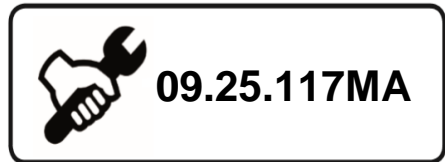


Etolis 17 VA



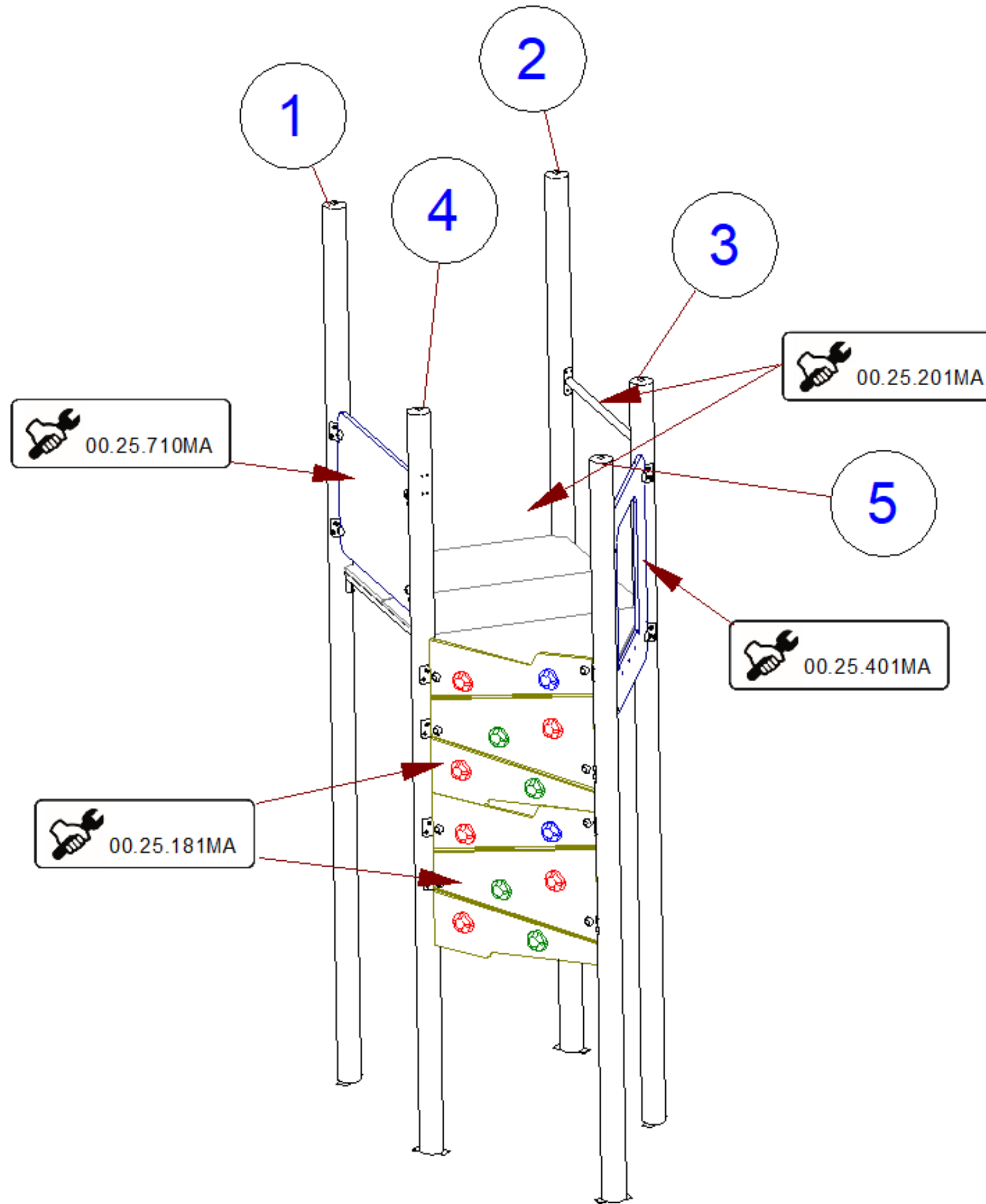
Etolis 17 VA

1



Etolis 17 VA

2



Etolis 17 VA



3

