

Z200

Zandmolen
Moulin à sable
Sand mill
Sandmühle
Molino de arena
molino a sabbia

Montagehandleiding Notice de montage Assembling manual Montageanleitung Instrucciones para el montaje Istruzioni di installazione

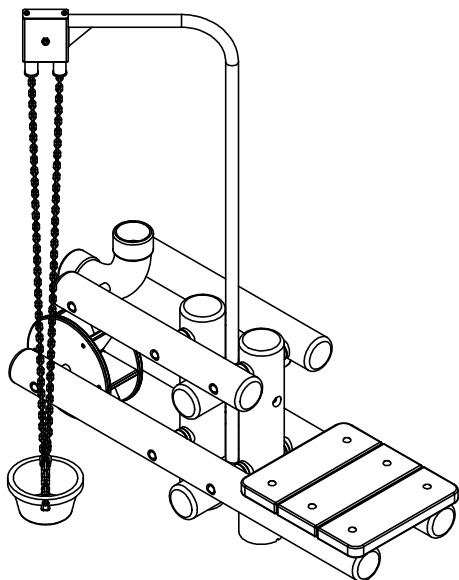
Leeftijd
Age group
Age / Alter
Edad / Età
2 - 6

EUROPLAY nv
Eegene 9
B-9200 DENDERMONDE
tel. 32.52.22 66 22
fax.32.52.22 67 22
www.europlay.eu

Dat.: 21/05/2021

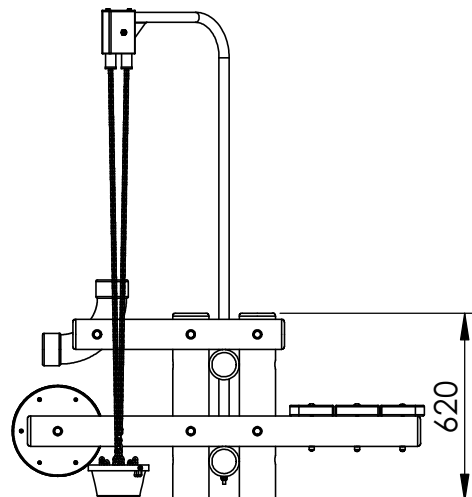
Rev.: -

Page: 1/8



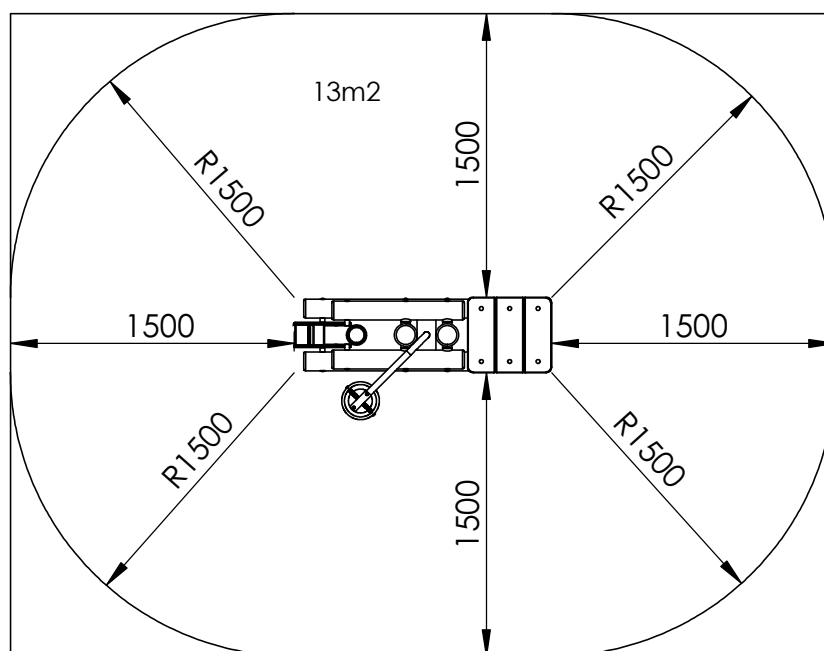
47.19kg

VALHOOGTE / HAUTEUR DE CHUTE /
FALL HEIGHT / FALLHÖHE/
ALTURA DE CAÍDA / ALTEZZA DI CADUTA



Groundlevel

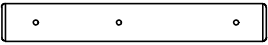
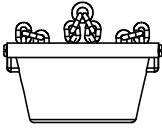
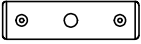
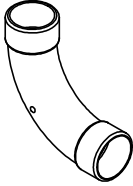
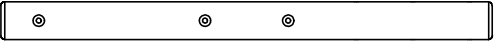
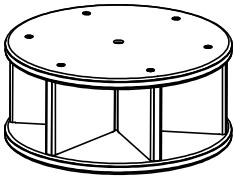
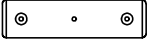
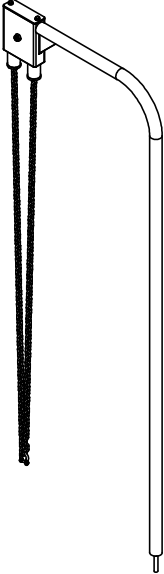
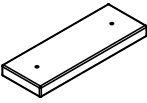
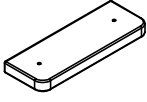
VEILIGHEIDSAFSTAND / ESPACE DE CHUTE / SAFETY AREA /
SICHERHEITSAFSTAND / ZONA DE SEGURIDAD / DISTANZA DI SICUREZZA




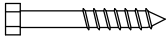
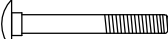
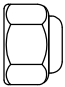



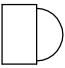
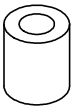
AFMETINGEN
DIMENSIONS
MASSE
DIMENSIONES
DIMENSIONI
L: 1,4m
Br: 0,4m
H: 0,6m

±15m²

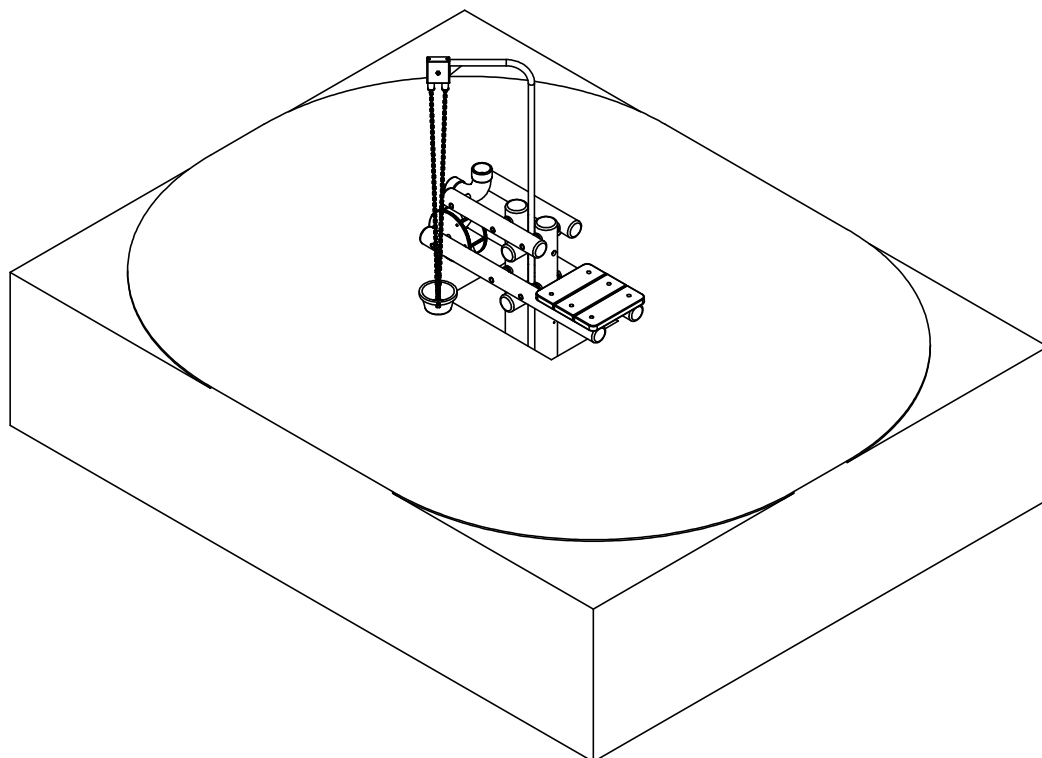
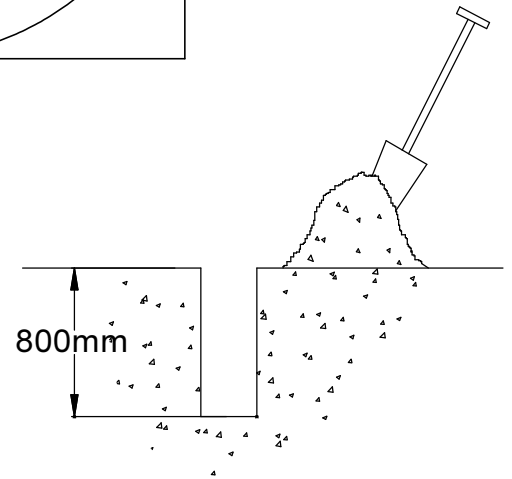
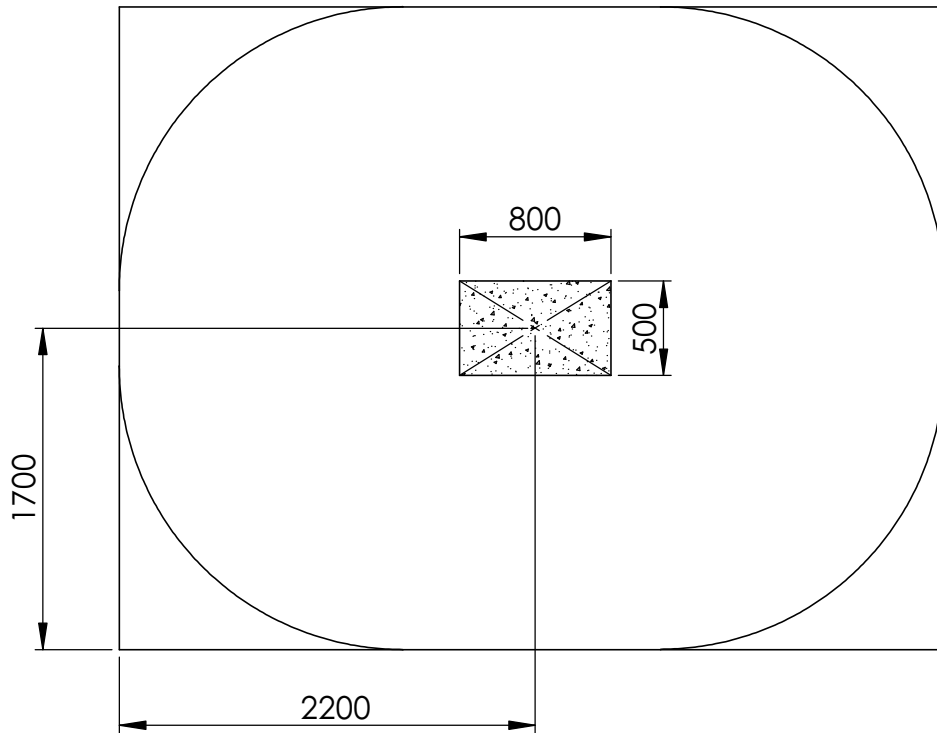
Benodigdheden - Liste des pièces - Materials - Benötigtes - Accesorios - Requisiti

| | |
|-----------------------------------------------------------------------------------------------------------------------------------------------|-------------------------------------------------------------------------------------------------------------------------------------------------------------------------------------------|
| <p>2x Z200-H-H-01</p>  <p>700 x Ø100</p> <p>3.09kg</p> | <p>1x L900-As-Zandemmer-01</p>  <p>1.26kg</p> |
| <p>1x Z200-H-H-02</p>  <p>360 x Ø100</p> <p>1.26kg</p> | <p>1x L951-K-Zandbuis-01</p>  <p>283,5 x 283,5 x 107</p> <p>1.23kg</p> |
| <p>2x Z200-H-H-03</p>  <p>1300 x Ø100</p> <p>4.74kg</p> | <p>1x L950-Zandrad</p>  <p>Ø300x134</p> <p>3.21kg</p> |
| <p>1x Z200-H-H-04</p>  <p>380 x Ø100</p> <p>1.63kg</p> | <p>1x Z200-As-Katrol-01</p>  <p>11.75kg</p> <p>1420 x Ø120</p> <p>1563,3 x 570 x 40</p> <p>5.73kg</p> |
| <p>1x Z200-H-H-05</p>  <p>400 x 145 x 35</p> <p>1.15kg</p> | |
| <p>2x Z200-H-H-06</p>  <p>400 x 145 x 35</p> <p>1.14kg</p> | |

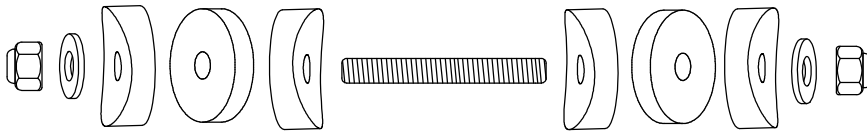
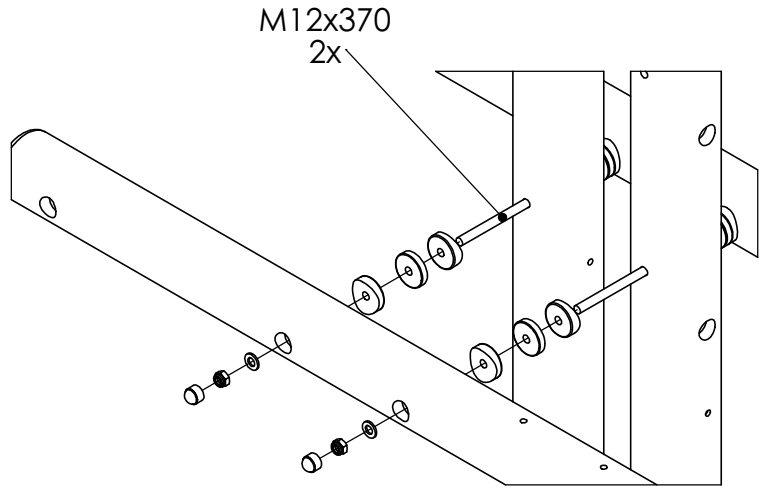
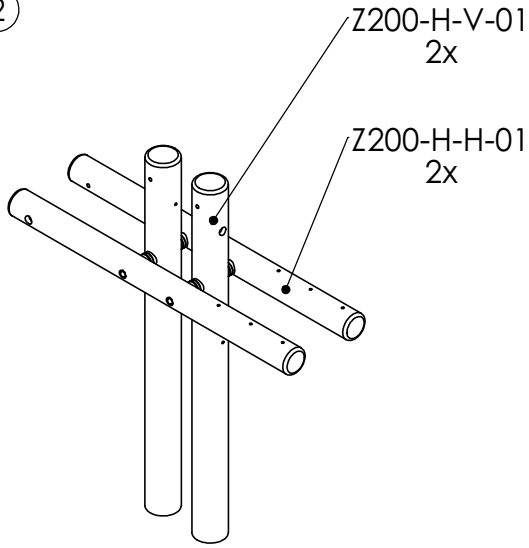
Benodigdheden - Liste des pièces - Materials - Benötigtes - Accesorios - Requisiti

| | | | |
|-----|----------------------|-------------------------------------------------------------------------------------|------------------------------------------------------------------------------------|
| 3x | M12x350 | | |
| 3x | M12x370 | |  |
| 8x | 8x130 |  | |
| 6x | M8x145 |  | |
| 12x | M12 | | |
| 1x | M10 |  | |
| 6x | M8 | | |
| 12x | M12 | | |
| 1x | M10 |  | |
| 14x | M8 | | |
| 4x | |  | |
| | | Blue | |
| 16x | |  | |
| | | Blue | |
| 12x | M12 | | |
| 6x | M8 |  | |
| | | Black | |
| 2x | L30 | | |
| 2x | L22 |  | |
| | | White | |
| | Lb-K-Huls-Ø26xØ14-01 | | |

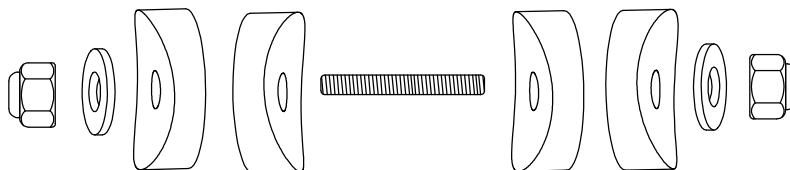
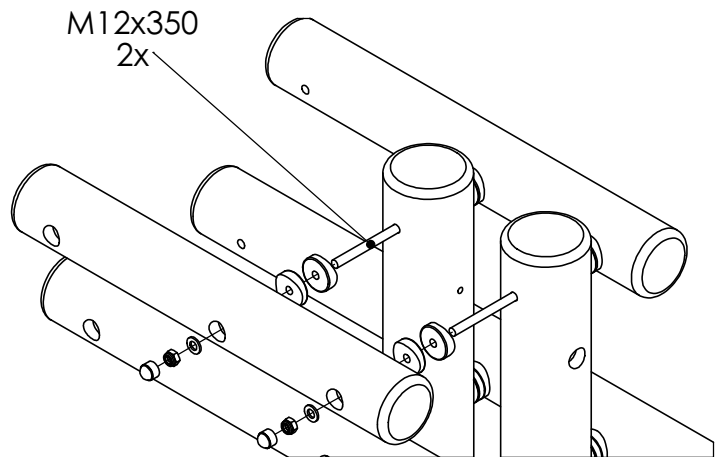
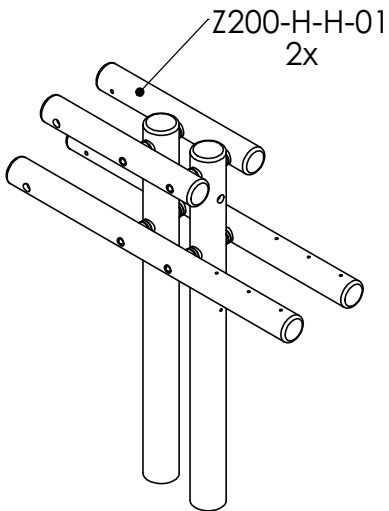
①



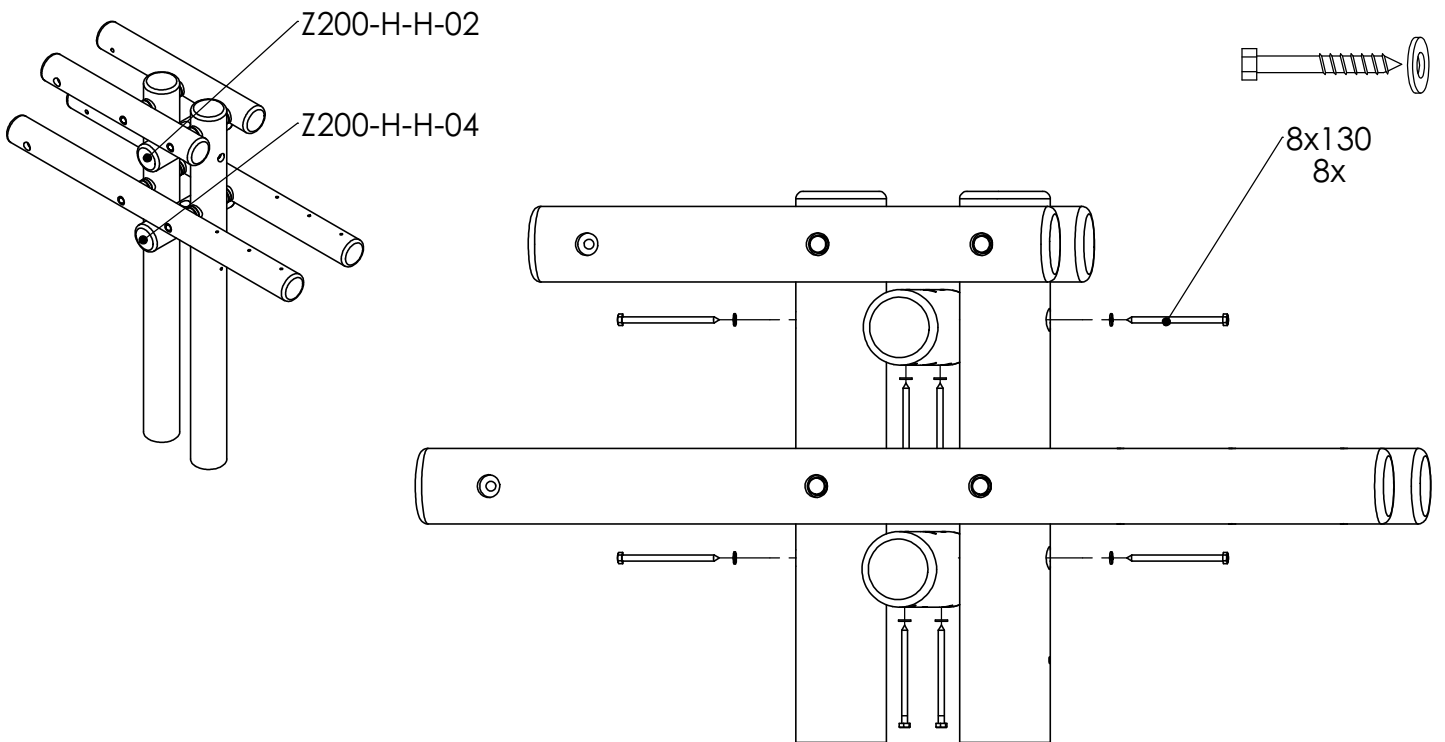
②



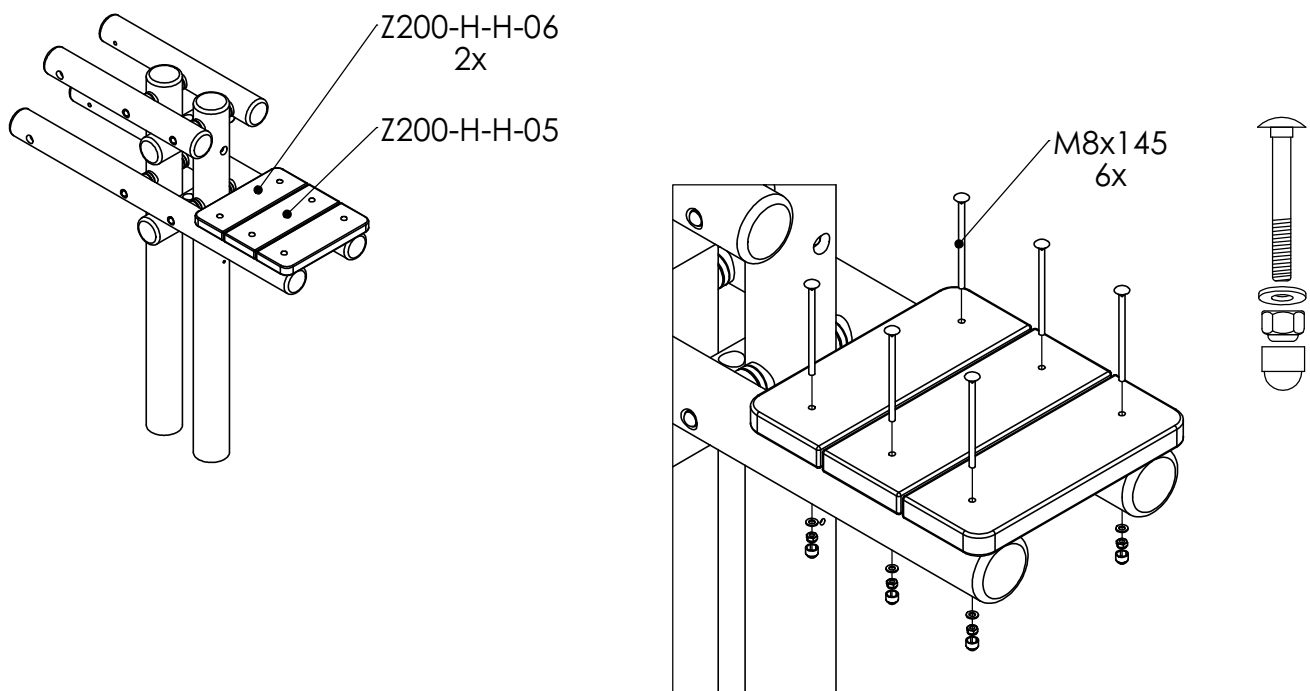
③



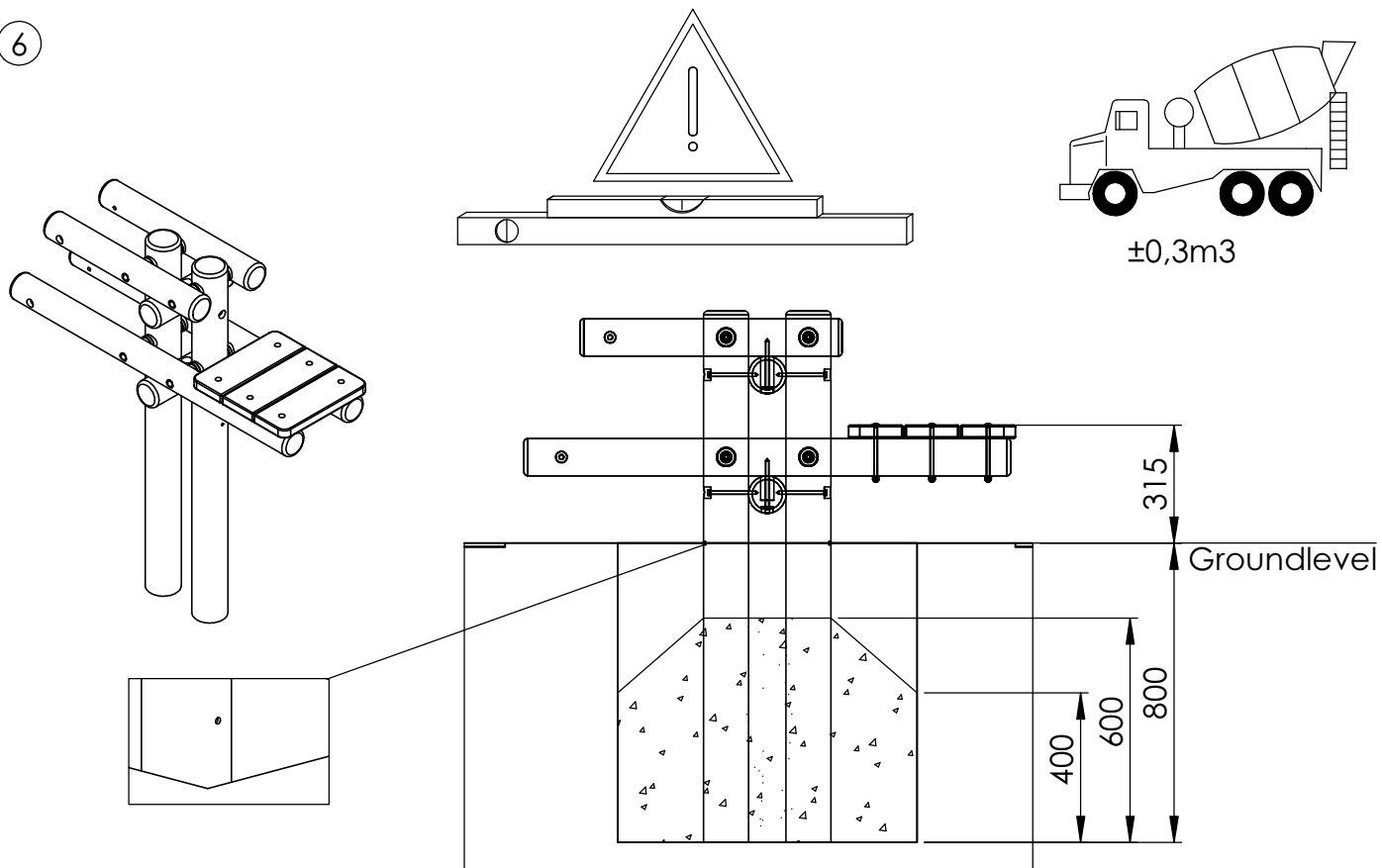
4



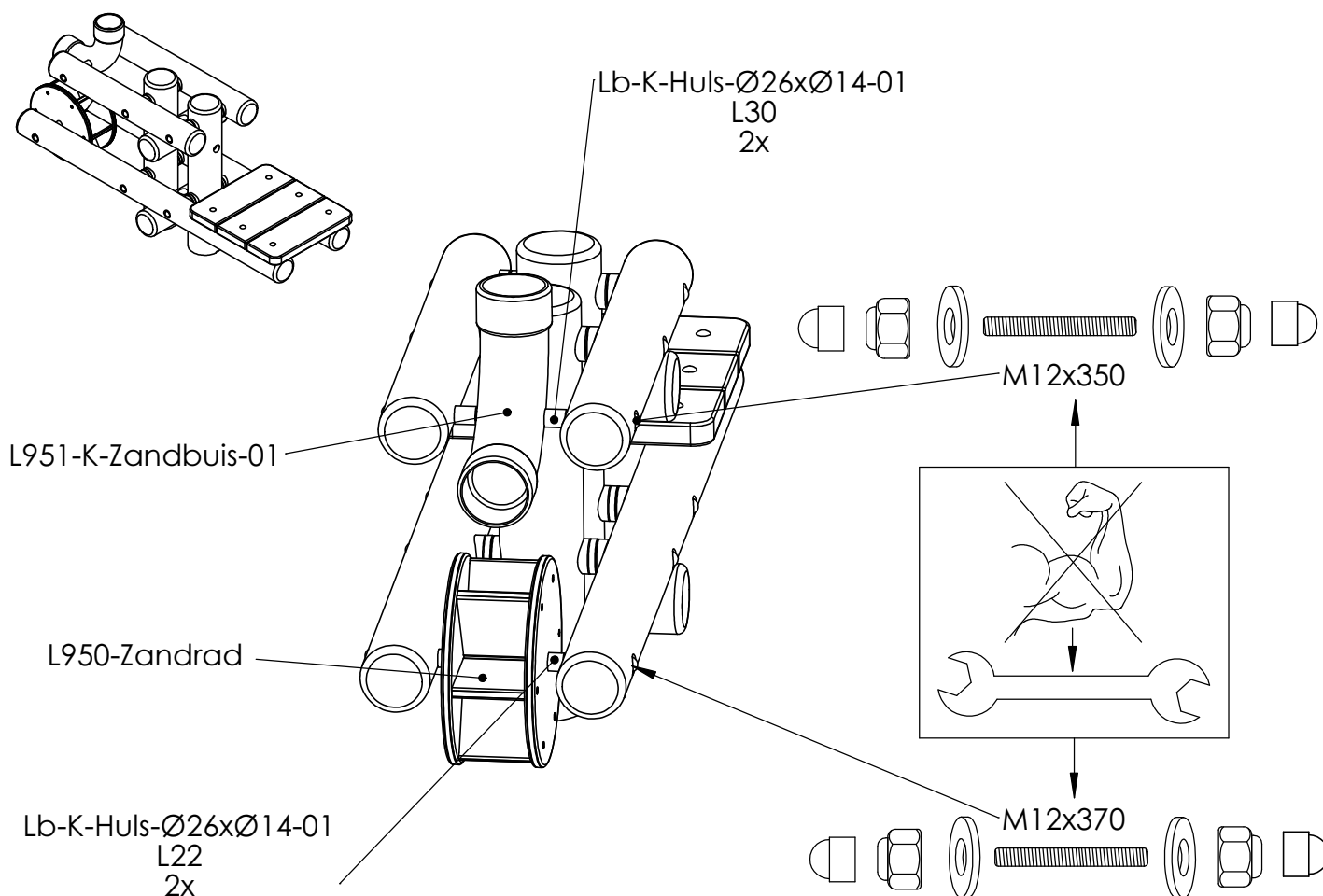
5



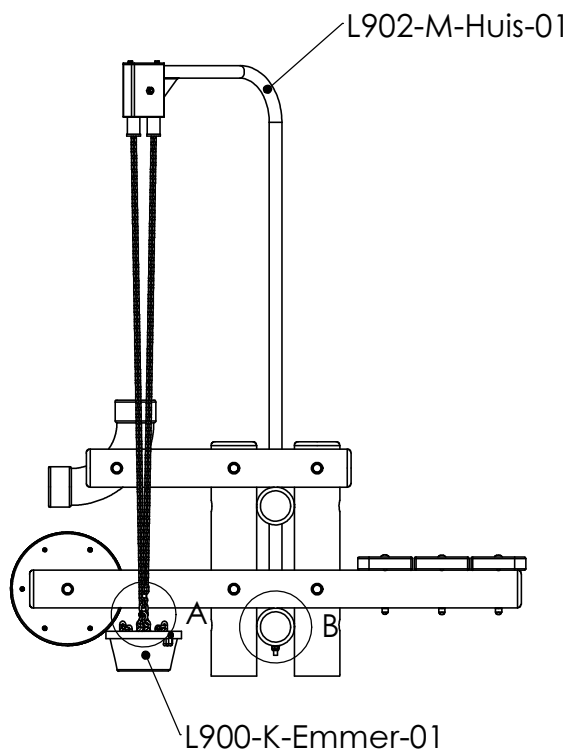
6



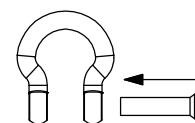
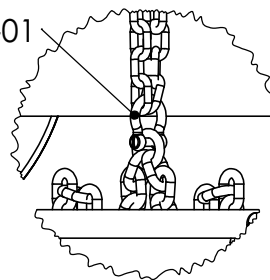
7



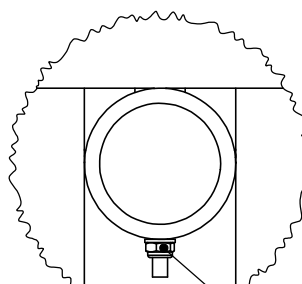
8



Lb-M-HarpM6-01

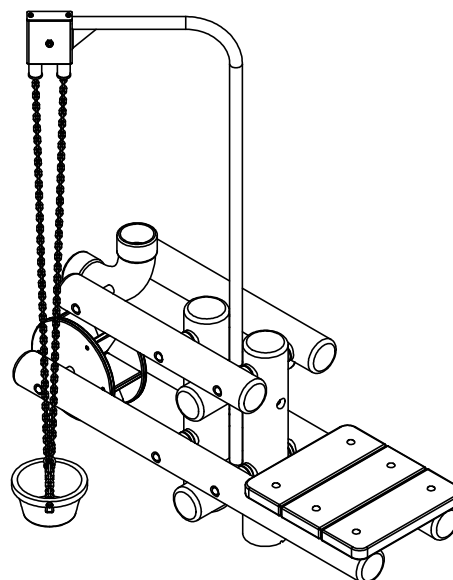
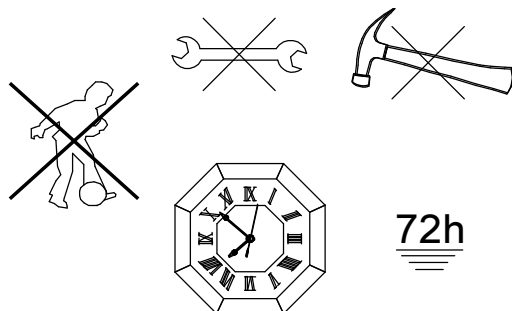


DETAIL A
SCALE 1 : 5



DETAIL B
SCALE 1 : 5

M10 



9

Bij droog weer moeten alle bouten en schroeven opnieuw aangespannen worden.
 Par temps sec il faut resserrer régulièrement toute la visserie.
 By dry and warm weather check the tightness of all bolts and screws.
 Bei trockenem Wetter müssen alle Schrauben und Bolzen aufs neue angespannt werden.
 Para el tiempo seco, se necesita cerrar o ajustar los tornillos y tuercas.
 Con tempo asciutto, tutti i bulloni e le viti devono essere avvitati nuovamente.